



The Editor™ GT ink jet controller

Added value applications for variable data printing



Converts your production line into generating unique printed products that add value to your business



Domino. Do more.

Domino Editor™ GT controller – added value applications for variable data printing

A modular ink jet controller with data preparation and variable data ink jet printing capability combined with integrated control solutions for your production lines - configured to meet your application requirements and budget.

With over 2000 installations worldwide, the Editor™ GT controller is the proven solution for the printing and mailing industries. Utilising an intuitive Windows Embedded Standard 7 graphical user interface provides unparalleled ease of use. In-line ink jet printing for 2D code, barcode, numbering, addressing and personalisation printing. Supporting any combination of Domino's range of ink jet printers combined with unparalleled machine control capability, you can rely on the Editor™ GT controller to add value to your capability.

A diverse range of applications

The Editor™ GT control solution can be easily integrated into common production lines including those for web and sheet fed printing, mail table, inserting, stitching, binding, poly wrapping, folding and plastic card conversion.



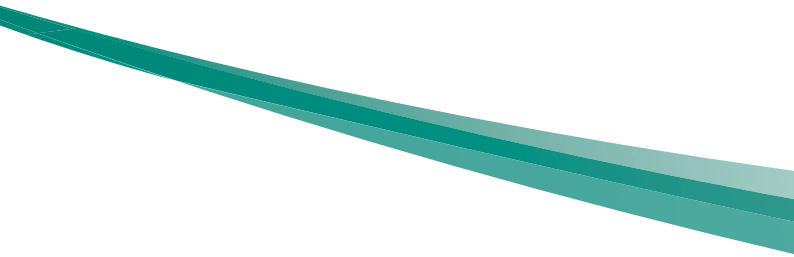
QR code printed on packaging by Domino K600i integrated on a rewinder



Addressing application on poly wrap printed from a Domino Bitjet+ ink jet printer



Cut and stack number added to pre-printed tickets in a narrow web flexo press application, printed by Domino A-Series



Greener credentials

Domino's commitment and investment in sound environmental practices means we frequently exceed the demanding governmental, industry and company standards and regulations. We are committed to minimising the consumption of natural resources and energy and the creation of waste. Additionally, our products are RoHS and WEEE compliant so that they are recyclable.

Variable data printing is made easy

Simple database management

Data can be accepted from all common database formats including ASCII in variable length, delimited and fixed length formats and then easily configured for production. The automated make ready tools and job queues ensure rapid set up. Networked solutions can readily enable master-slave configuration where set up can take place away from the production line.

Powerful number, barcode and 2D code sequences

For security printing, gaming or traceability applications the Numbering module is so easy, but so powerful. Either configure data from a file or use the data creation capability for simple sequential numbering, to modulus for security applications, or cut and stack sequences to match output package formats. The Editor™ GT templates simulate your products for easy visual verification of what will be printed.

Comprehensive addressing and personalising capability

Configuring the address block, removing empty lines, adding a barcode or 2D code from the vast library of industry standard mailing codes is a select and click operation. Messaging can be chosen and configured from a file or selected based on a data marker. Multiple language support is also provided.



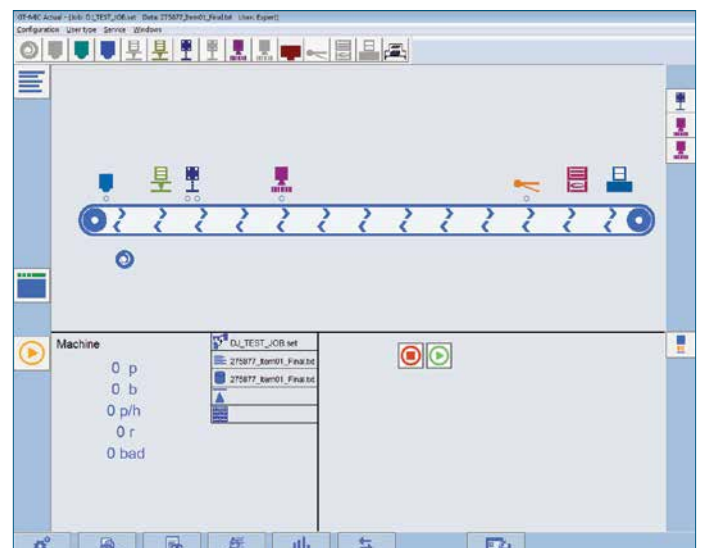
Added value products – adding value to your business

It's personalised

Don't just print an address, you can also add a personalised reminder or reference to a promotion or print a variable graphic based game. QR codes can be applied to track and trace or for brand loyalty schemes and promotional games.

We control the machine

Select a targeted insert to a personalised document through the Editor™ GT feeder control capability. Use Mail Sort in order to qualify for postage discounts through the stacker control option. Match multiple pre-personalised elements of the product.



Perhaps the most secure solution

Simple print confirmation

This is a standard feature with all Domino controller solutions - you need to know that the correct name is with the correct address: so, for example, Mary Smith's message is not with Bob Jones' letter: Traceability or winning codes should only be printed once. With every message printed, the printer confirms to the Editor™ GT that the print has happened and the sequence is as expected.

Data files can be printed using the mark-done feature which marks the data record after printing for post-production reconciliation.

Vision system

For the ultimate secure solution, a vision system can be employed to read and verify what has been printed is as planned. This can range from a simple barcode reader to a system that compares the complete variable data printed image to what is stored.



Seamless integration

Controlling your machine

For mailing applications, tracking a product and then controlling a stacker or exit conveyor to generate postal sort breaks is common. Reject products can be diverted. Products can also be diverted or line slow down signals sent in order to manage stacker minimum bundle size capability. Either through industry standard interfaces or via the integrated control capability, more advanced applications such as selective feeder control in binding and inserting operations selective feeder control in binding and inserting operations

Print matching

Where multiple pre-personalised items form one product such as matching a personalised plastic card fitted to a mail piece, through integrating with a vision system, you can read, print and if needed verify the product is correct. When they are not, the Editor™ GT can stop or divert products as required.

Field Name (e...)	Po...	Le...	From File
Text 1	0	5	0061
Text 2	7	5	2,042
Text 3	12	39	as one of our Preferred Subscrib...
Text 4	52	5	3,027
Text 5	57	30	you are entitled to receive018
Text 6	87	21	a FREE Sports Glow019
Text 7	108	22	Watch when you give019
Text 8	130	140	a gift of TV GUIDE!



A quick tour around the Editor™ GT

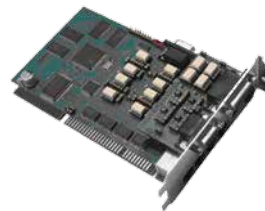
Option 1 - floor standing

Touch screen user interface (optional)

Industrial keyboard



Option 2 - industrial rack



Multi-position and basic control card options

Option 3 - desktop



Actual product design may vary.

Technical Specification:

Hardware options

- Industrial PC built into floor standing controller; IP 54 rated, with 19" touch screen monitor
- Rackable industrial PC system unit with 15" touch screen monitor; 1024x768 pixels 433mm (L) x 177mm (H) x 375mm (W) (17" (L) x 7" (H) x 14.7"(W))
- Industrial desktop PC tower with 15" flat screen monitor

Floor Standing Controller dimensions

- 674mm/26.5"(L) x 1641mm/64.6"(H) x 519mm/20.4"(W)

PC

- Multi-core PC, including Windows® Embedded Standard 7
- USB Support
- Network Ready
- Interface compatible for readers and cameras
- 115/240 VAC 50/60 Hz

Input/Output

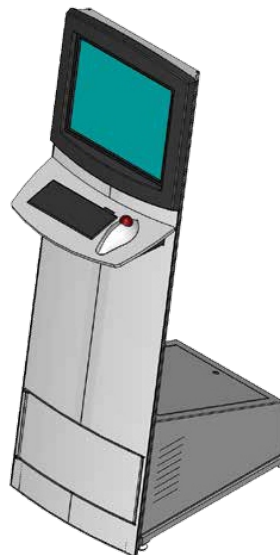
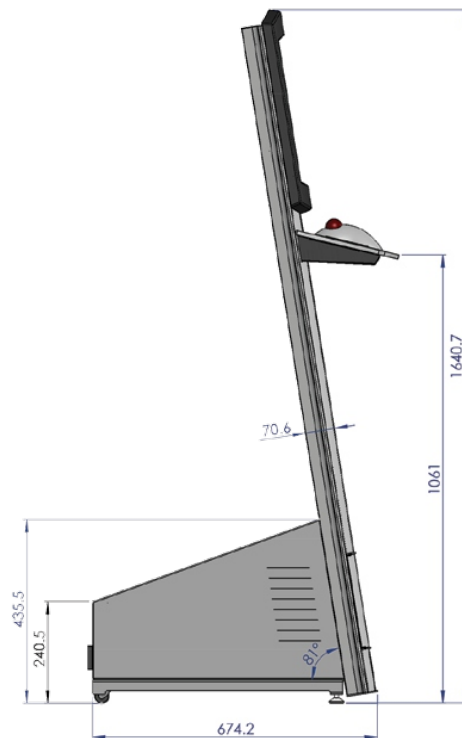
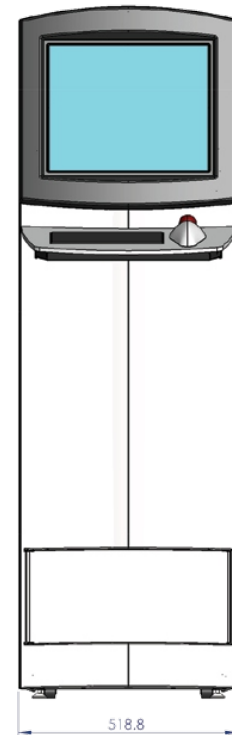
- Up to 4 backlash compensated encoder input
- Up to 20 backlash compensated and divided encoder outputs for ink jets
- Up to 16 outputs for periphery: stacker, gates etc
- Up to 16 inputs for periphery: product detect, reorder etc
- Add-on I/O unit for feeder control

Data Formats

- Flat Files
- Fixed length records
- Variable delimited records
- MS Access & Excel compatibility
- Unicode
- TCP/IP OEM Datastream interface

Printer Support

- 20 Domino A-Series printers
- 8 Domino Bitjet+ printers
- 8 Domino K-Series printers
- 4 Domino K600i printers
- Domino N610i Digital Label Press
- Domino M-Series print and apply
- Other third party printer support available



CONTACT US

TALK TO AN EXPERT

- ☎ +91-900 900 6612
- ✉ enquiry@dominoindia.com
- www.domino-printing.com



KNOW MORE